

THERMOSTATIC RADIATOR VALVE

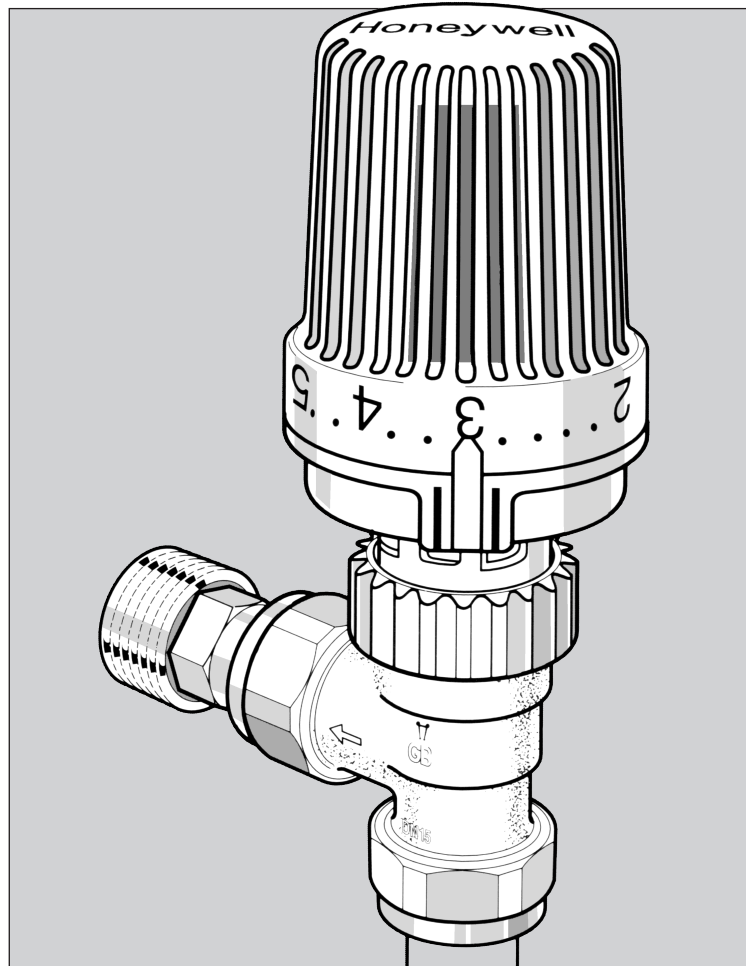
VT15

FEATURES

- Bi-directional valve body
- Wax sensor provides consistent and reliable performance
- Sensor head may be mounted vertically or horizontally by interchanging radiator tail and copper tube fittings
- Range stops included in head
- 6mm of play on radiator tailpiece to allow for variation in radiator distance from valve

OPTIONS

- 15, 10 and 8mm angled versions
- VA8200A001 tool allows removal/replacement without draining down system



APPLICATION

The VT15 radiator thermostat, which has full CEN Standard approval to EN215, regulates individual radiator output in wet central heating systems. Radiator thermostats are particularly useful in taking advantage of uncontrolled heat gains (e.g. solar gain or an open fire in a living room).

Because the valve body design is not sensitive to water flow direction and its radiator tail and copper tube connections are interchangeable, the VT15 radiator thermostat can be mounted vertically or horizontally at either end of the radiator.

The VT15 should not be fitted to a radiator in a room where there is a room thermostat. Suitable for two pipe systems only.

NON-ELECTRIC CONTROLS

Honeywell

5.15

THERMOSTATIC RADIATOR VALVE

VT15

Installation

The VT15 tailpiece has a 14mm square section to enable a spanner to be used to tighten the tailpiece into the radiator.

In order to function adequately, the VT15 should not be installed in direct sunlight, or obscured by furniture, curtains etc.

Ordering Specification

VT15 - AG

Radiator thermostat valve with reversible flow, angled body and 8mm connection and instructions

VT15 - BG

As above, but with 10mm connections

VT15 - EG

As above, but with 8mm connections

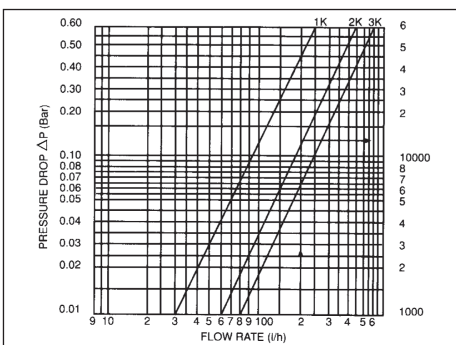
T9002W0

Replacement thermostatic head

VA8200A001

Insert replacement tool. Service without draining system

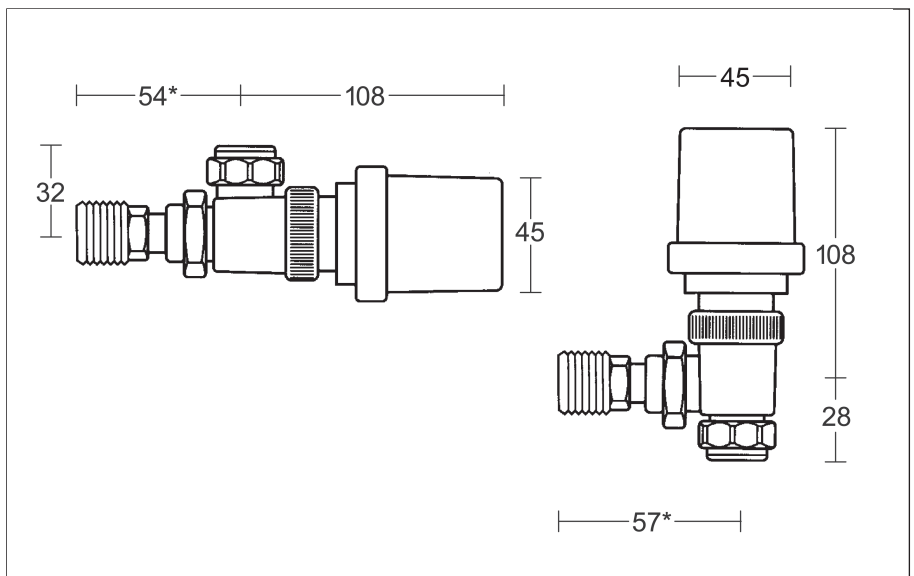
Flow Rate Chart



Specification

Maximum Working Pressure	: 10 bar
Maximum Differential Pressure	: 1 bar
Max. Differential Pressure for quiet operation	: 0.2 bar
Maximum Flow Temperature	: 130°C
Closing Time	: 20 minutes
Approvals	: CEN: EN215

Dimensions (mm)



* Plus 6mm of movement

Servicing

The VT15 valve body has a removable insert that can be removed and replaced without the need to drain the system. Alternatively, the insert can be removed and the valve seat cleaned. Both these operations require the use of the VA8200A001 insert replacement tool.

Temperature Scale

Mounted on the radiator flow with head vertical. These temperatures are for guidance only and may vary slightly depending on the nature of the installation.

0	❄	1	2	3	4	5
Off	6°C Frost	10°C	15°C	20°C	23°C	26°C