



Lyric T6, T6R and Honeywell T4R –
S and Y Plan applications

ADDITIONAL WIRING INSTRUCTIONS

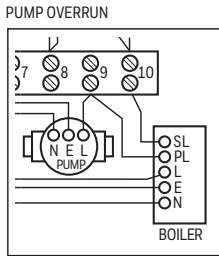
S Plan with and without pump overrun

For T6, T6R and T4R programmable thermostats

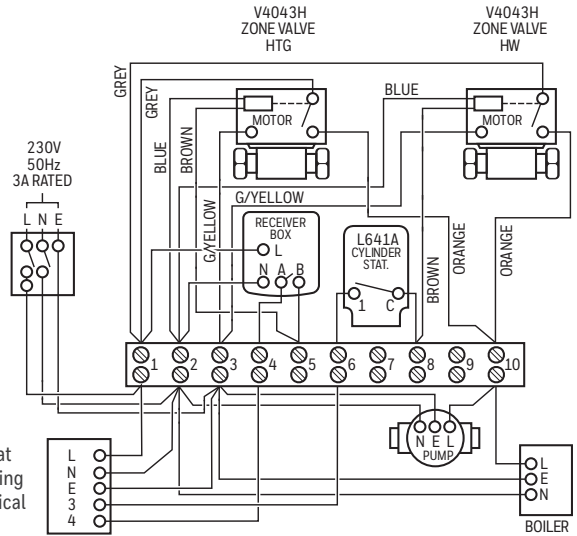
NOTE

1. It is recommended that either the 10 way junction box or Sundial wiring centre should be used to ensure first time, fault-free wiring.

2. If using the V4043H1080 (1" BSP) or V4043H1106 (28mm), the white wire must be electrically isolated.



Bus wiring between receiver and thermostat omitted for clarity. Wiring on new receivers identical to existing BDR91.



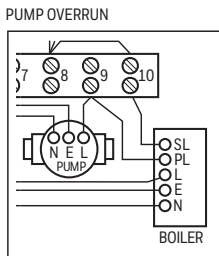
If a programmer is present in the system this will need to be set to Continuous.

Y Plan with and without pump overrun

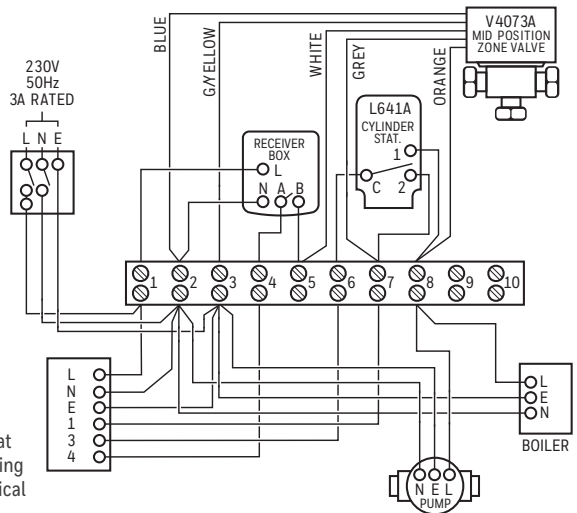
For T6, T6R and T4R programmable thermostats

NOTE

1. It is recommended that either the 10 way junction box or Sundial wiring centre should be used to ensure first time, fault-free wiring.



Bus wiring between receiver and thermostat omitted for clarity. Wiring on new receivers identical to existing BDR91.











If a programmer is present in the system this will need to be set to Continuous.



Take comfort in a programmable thermostat that's built for installers, designed for customers.

Lyric T6 Series programmable thermostat. Engineered for comfort.

-  Control via smartphone/tablet
-  Wi-Fi enabled connectivity
-  Touch-screen interface
-  Location-based temperature control (geo-fencing)
-  Pre-configured scheduling
-  Optimisation features
-  OpenTherm enabled
-  Any boiler, any system



For more information, please visit: lyricT6.honeywell.com





Specific caution required when installing T6

When replacing an existing wired thermostat (for example T6360 or CM901) the existing mains switching wiring will need to be removed from the 10 way junction box and connected directly to the receiver box terminals T-T.

Care should be taken to ensure (where practicable) that existing wiring is suitably routed and is not run in parallel with mains cables or other sources of interference.

The T-T terminals on the thermostat must only be connected to the T-T terminals on the receiver.

These connections are a low voltage digital data bus and cannot be used for on/off switched relay output control.

More information



For additional wiring diagrams for the Lyric T6 series and the Honeywell T4 please consult the Installer Literature.

This can be downloaded from the appropriate product pages of the Honeywell UK web-site www.honeywelluk.com

Why not download the Wiring Guide App from the Google Play Store or the Apple Store? Search for '**Honeywell Wiring Guide**'.

Or download our Wiring Guide from our Honeywell UK website: www.honeywelluk.com

For more information

www.honeywelluk.com

Honeywell Heating Controls

Honeywell House, Bracknell
Berkshire, RG12 1EB

Tel: 01344 656000

Fax: 01344 656240

E-mail: insidesales@honeywell.com

www.honeywell.com

These wiring diagrams are for guidance only and at the time of printing represent the latest information available to us from other manufacturers. Honeywell reserve the right at any time and without notice to change any product, specification or any other information contained in this publication and cannot accept responsibility for loss or damage arising out of any errors that may inadvertently be contained herein.